

Features

1.0" digit height
High segment intensity
Range of colours
Multiplexing capability
ROHS Compliant

Options

Black or Grey face colour
Colored segments
Copper terminal pins
Long terminal pins
Low current version



Electro Optical Characteristics $I_F = 20\text{mA}$ ($T_A = 25^\circ\text{C}$)

Part Number (2 LED per seg.)		Emitting Colour	Wavelength Peak λ_P (nm)	Forward voltage V_F (V)	
Common Cathode	Common Anode			Typical	Max
100R1B SB	100R1A SB	Superbright Blue	460	5.8	6.4
100R1B UB	100R1A UB	Ultrabright Blue	460	5.8	6.4
100R1B SG	100R1A SG	Superbright Pure Green	530	6.0	6.8
100R1B UG	100R1A UG	Ultrabright Pure Green	530	6.0	3.4
100R1B UYG	100R1A UYG	Superbright Yellow Green	560	4.0	4.4
100R1B UOR	100R1A UOR	Ultrabright Amber	610	3.8	4.4
100R1B UY	100R1A UY	Ultrabright Yellow	590	3.8	4.2
100R1B SR	100R1A SR	Superbright Red	650	3.8	4.2
100R1B UR	100R1A UR	Ultrabright Red	660	3.8	4.2

Part Number (1 LED per seg.)		Emitting Colour	Wavelength Peak λ_P (nm)	Forward voltage V_F (V)	
Common Cathode	Common Anode			Typical	Max
100R1D SB	100R1C SB	Superbright Blue	460	2.9	3.2
100R1D UB	100R1C UB	Ultrabright Blue	460	2.9	3.2
100R1D SG	100R1C SG	Superbright Pure Green	530	3.0	3.4
100R1D UG	100R1C UG	Ultrabright Pure Green	530	3.0	3.4
100R1D UYG	100R1C UYG	Superbright Yellow Green	560	2.0	2.2
100R1D UOR	100R1C UOR	Ultrabright Amber	610	1.9	2.2
100R1D UY	100R1C UY	Ultrabright Yellow	590	1.9	2.1
100R1D SR	100R1C SR	Superbright Red	650	1.9	2.1
100R1D UR	100R1C UR	Ultrabright Red	660	1.9	2.1

Absolute Maximum Ratings $T_a=25^\circ\text{C}$

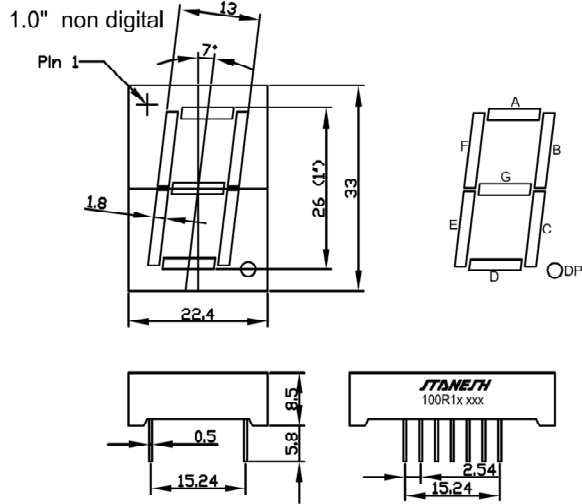
Characteristic	Symbol	Rating	Unit
DC forward current	I_F	20	mA
Reverse Voltage ²	V_R	5	V
Operating Temperature	T_{opr}	-25 to +80	$^\circ\text{C}$
Storage Temperature	T_{stg}	-30 to +85	$^\circ\text{C}$
Lead Soldering Temperature ¹	-	260	$^\circ\text{C}$

¹ 1.6mm from body – max 3 seconds

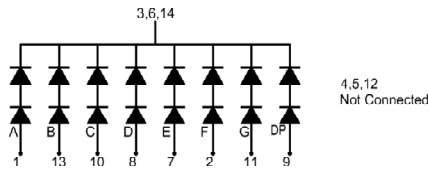
² for 2 LED version $V_R= 10\text{V}$

Product Diagram (All dimensions are in mm)

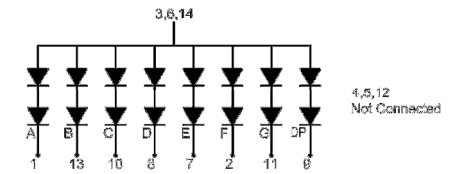
100R1x xxx



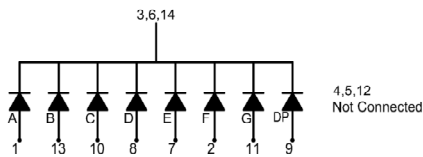
**100R1B xxx
Common cathode**



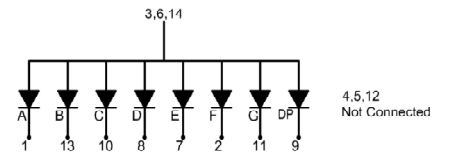
**100R1A xxx
Common anode**



**100R1C xxx
Common cathode**



**100R1C xxx
Common anode**



**Specifications may change due to new materials or product improvement*